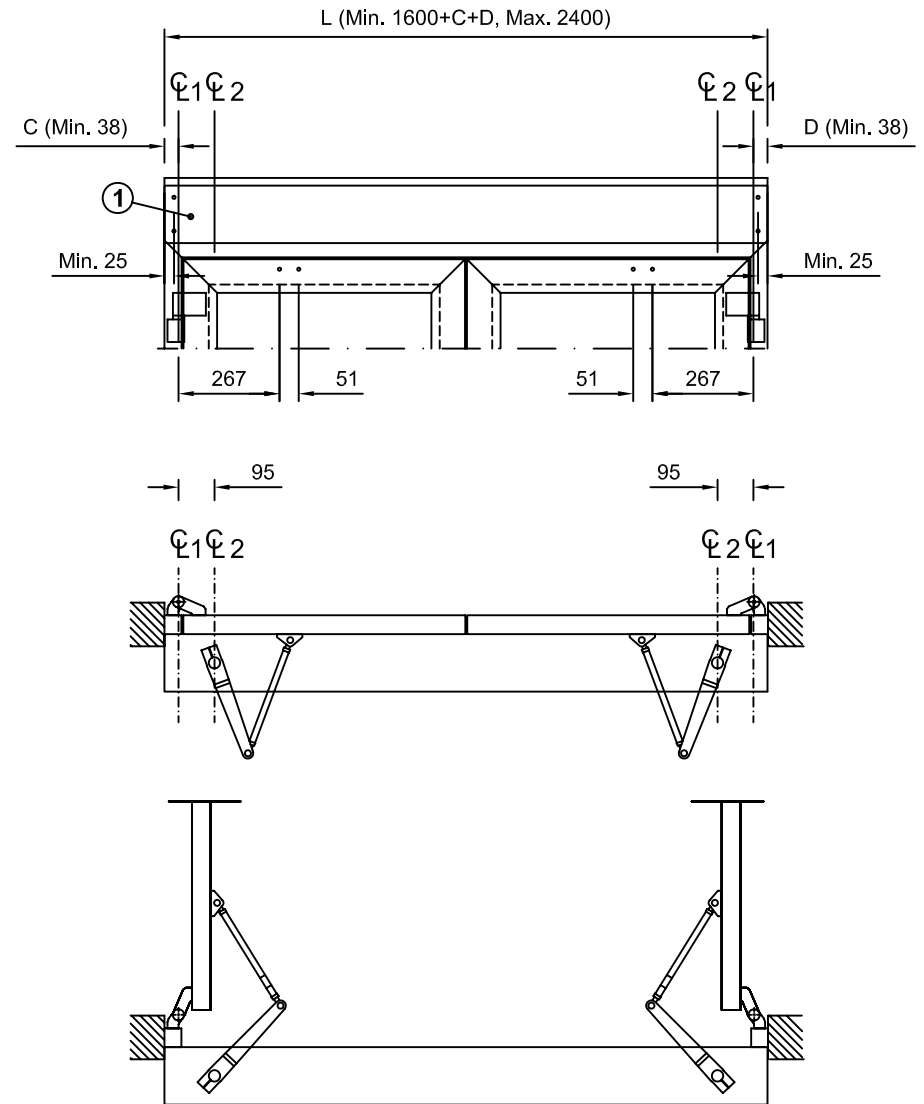


- CL1 Hinges
- CL2 Operator drive shaft
- A Reveal
- F+A Max. 350mm
- 1 Fixing holes (4xØ8,5) and holes for cable inlet to be drilled on site
- 2 Reinforcements required in door leaf and at fixing holes

Note! State L, C and D when ordering



Scale 1:4, 1:20

IKS-A2
Arm system NAS

Swing door operator

besam

5

173503