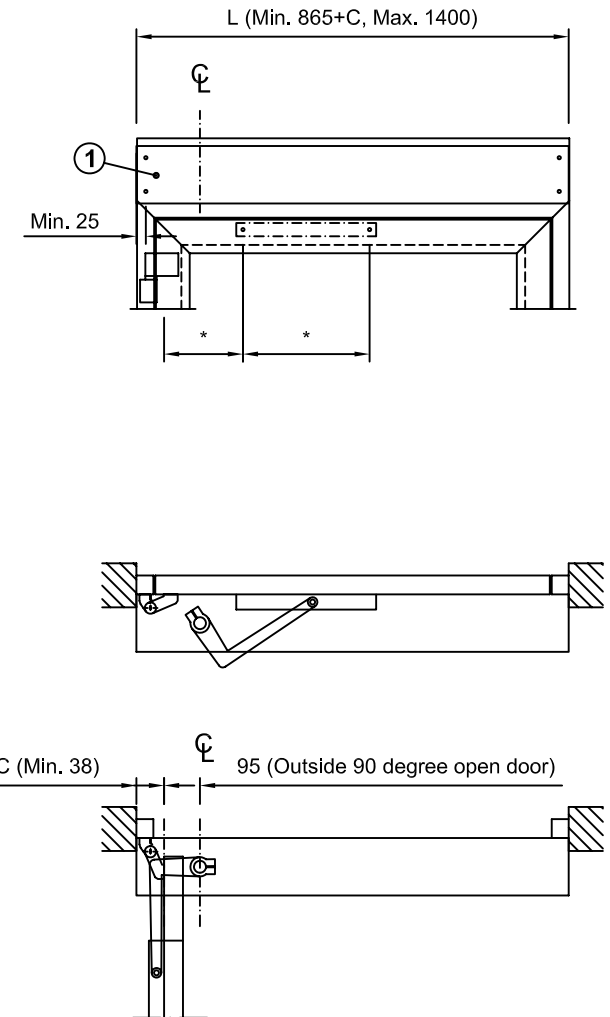


- CL Operator drive shaft
- A Reveal max. 150mm
- 1 Fixing holes (4xØ8,5) and holes for cable inlet to be drilled on site
- 2 Reinforcements required in door leaf and at fixing holes
- * To be adjusted during installation

Note! State L and C when ordering



Scale 1:4, 1:20

IKS-A
Arm system PAS

Swing door operator

besam

5

173504