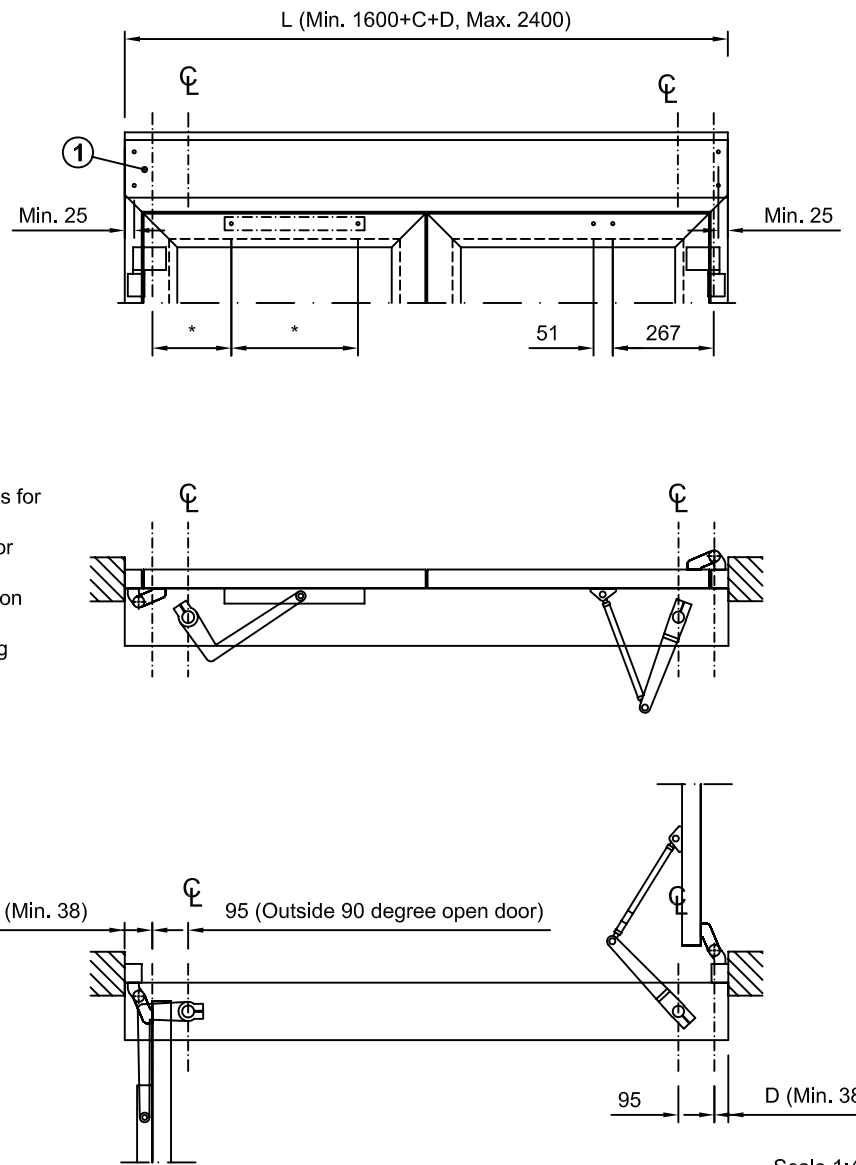


- CL Operator drive shaft
 - A Reveal max. 150mm
 - 1 Fixing holes (4xØ8,5) and holes for cable inlet to be drilled on site
 - 2 Reinforcements required in door leaf and at fixing holes
 - * To be adjusted during installation
- Note! State L, C and D when ordering



Scale 1:4, 1:20

IKS-A 2
Arm system PAS+NAS

Swing door operator

besam

5

173510