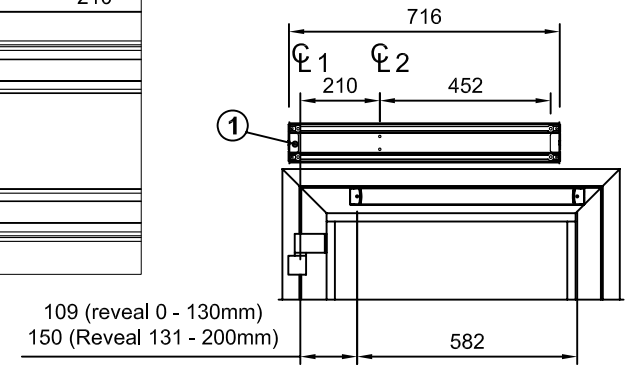
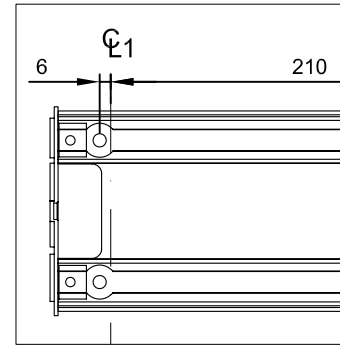
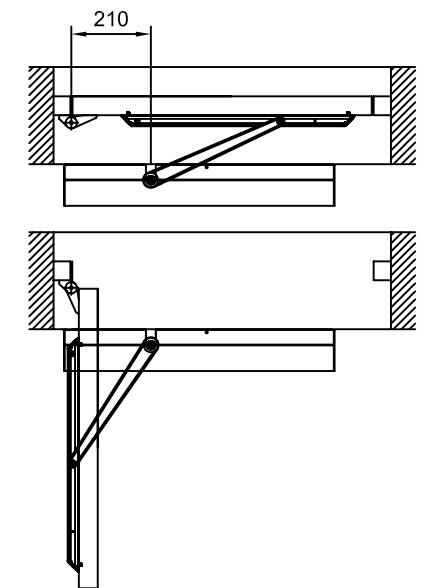


Y=	Shaft extension
48	0
68	20
98	50
118	70



109 (reveal 0 - 130mm)
 150 (Reveal 131 - 200mm)



- CL1 Hinges
- CL2 Operator drive shaft
- A Reveal 0 -200mm
- Note! Low speed closing and opening distance will increase.
 Max. door opening = 95°
 Min. door width = 800mm
- 1 Cable inlet
- 2 Reinforcements required in door leaf and at fixing holes

SW100
Arm system PULL
Swing door operator

besam
ASSA ABLOY

1
1005195